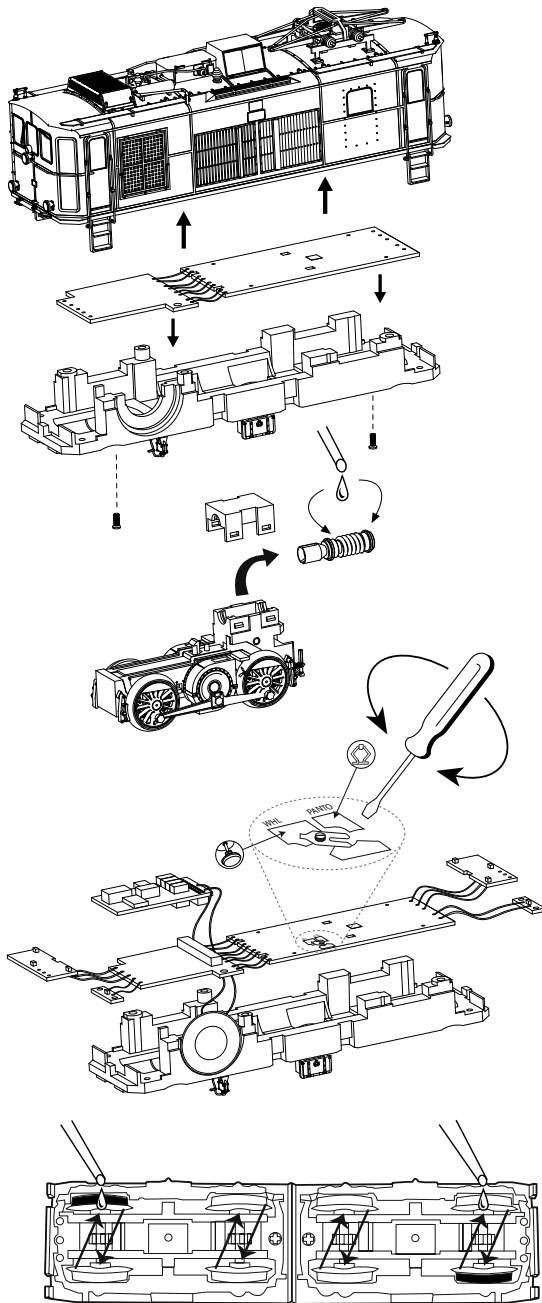


N° di parte Art.-Nr. Item No.		Unità Einheit Unit	HR2136 HR2137 AC
1	Set pantografo Stromabnehmersatz Pantograph	1	HR2136/01
2	Lampade Lampen Lamps	2	HR2136/02
3	Carrozzeria Gehäuse Bodyshell	1	HR2136/03
4	Gradini e corrimano Führerstandsleitern und Griffstangen Steps and handrails	2	HR2136/04
5	Scheda circuito stampato luci Lichtleiterplatine Lights board	1	HR2136/05
6	Scheda principale a circuiti stampati Hauptleiterplatine Main PCB Board	1	HR2136/06
7	Vite senza fine Antriebschnecke Worm gear	2	HR2136/07
8	Confezione albero universale Universal-Kardanwellensatz Universal Shaft pack	2	HR2136/08
9	Confezione motore Motorsatz Motor pack	1	HR2136/09
10	Trasmissione - DC Antriebsdrehgestell, komplett - DC Complete bogie - DC	2	HR2136/10
11	Trasmissione - c.a. Antriebsdrehgestell, komplett - AC Complete bogie - AC	2	HR2137/11
12	Azionamento set ruote - DC Radsatz - DC Wheelset - DC	4	HR2136/12
13	Azionamento set ruote - c.a. Radsatz - AC Wheelset - AC	4	HR2137/13
14	Pattino contatto rotaia c.a. Wechselstrom-Schienenschleifkontakt AC contact rail shoe	1	HR2137/14
15	Fondo carrello Drehgestellrahmen Bogie (chassis)	1	HR2136/15
16	Olamelle presa di corrente Stromabnahmekontakte Current pick-ups	1	HR2136/16
17	Pneumatici trazione Haftreifen Traction tyres pack	1	HR2136/17
18	Carrello (senze ruote) Drehgestellblende (ohne Räder) Bogie chassis for driven bogie	1	HR2136/18
19	Bielle di collegamento Blindwelle und Treibstangen Jackshaft and connention-rods	2	HR2136/19
20	Ingranaggi ed assi Zahnräder und Achsen Gears and axles	1	HR2136/20
21	Confezione attacco Kupplungssatz Coupling Pack	2	HR2136/21
22	Confezione compressivo/Respingente Satz Kleinteile für Chassis Set of small parts for chassis	2	HR2136/22
23	Coperchio vite senza fine Getriebeabdeckung worm gear cover	2	HR2136/23
	Accessorio borsa Zurüstbeutel komplett Accessories bag	1	HR2136/24



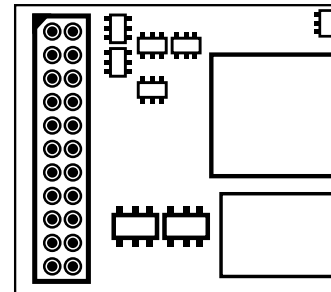
Lokpilot V.4 / LokSound V.4

Condizioni Bedingungen Conditions	Uscita Fisica Physikalischer Ausgang Physical outputs	Funzioni Logiche Logische Funktionen Logical functions
Stop, avanti Stop, vorwärts Stop, Forward	-	
Stop, indietro Stop, rückwärts Stop, Reverse	-	
Guida, avanti Fahren, vorwärts Drive, Forward	-	
Guida, indietro Fahren, rückwärts Drive, Reverse	-	
Avanti, F0 Vorwärts, F0 Forward, F0	Luci (avanti)[1], AUX1[1] Licht (vorwärts) [1], AUX1 [1] Light (forward)[1], AUX1 [1]	
Indietro, F0 Rückwärts, F0 Reverse, F0	Luci (indietro)[1], AUX1[1] Licht (rückwärts) [1], AUX1 [1] Light (reverse)[1], AUX2 [1]	
Avanti, F1 Vorwärts, F1 Forward, F1	AUX2 [1] AUX2 [1] AUX2 [1]	
Indietro, F1 Rückwärts, F1 Reverse, F1	AUX1 [1] AUX1 [1] AUX1 [1]	
Avanti, F2 Vorwärts, F2 Forward, F2	AUX3 AUX3 AUX3	
Indietro, F2 Rückwärts, F2 Reverse, F2	AUX4 AUX4 AUX4	
Avanti, F3 Vorwärts, F3 Forward, F3	-	Modo commutazione Rangiergang Switching Mode
Indietro, F3 Rückwärts, F3 Reverse, F3	-	Modo commutazione Rangiergang Switching Mode
Avanti, F4 Vorwärts, F4 Forward, F4	-	
Indietro, F4 Rückwärts, F4 Reverse, F4	-	

BLS, electric loco class Ce 4/4

Lokpilot V.3 / LokSound V.3.5

	FS(f)	FS(r)	FF(f)	FF(r)	FL(f)	FL(r)	F1(f)	F1(r)	F2(f)	F2(r)	F3(f)	F3(r)	F4(f)	F4(r)
Luce anteriore Spitzenlicht Front Light	<input type="checkbox"/>	<input type="checkbox"/>	<input type="checkbox"/>	<input type="checkbox"/>	<input checked="" type="checkbox"/>	<input type="checkbox"/>	<input type="checkbox"/>	<input type="checkbox"/>	<input type="checkbox"/>	<input type="checkbox"/>	<input type="checkbox"/>	<input type="checkbox"/>	<input type="checkbox"/>	<input type="checkbox"/>
Luce posteriore Schlusslicht Rear Light	<input type="checkbox"/>	<input type="checkbox"/>	<input type="checkbox"/>	<input type="checkbox"/>	<input type="checkbox"/>	<input checked="" type="checkbox"/>	<input type="checkbox"/>	<input type="checkbox"/>	<input type="checkbox"/>	<input type="checkbox"/>	<input type="checkbox"/>	<input type="checkbox"/>	<input type="checkbox"/>	<input type="checkbox"/>
AUX1	<input type="checkbox"/>	<input type="checkbox"/>	<input type="checkbox"/>	<input type="checkbox"/>	<input checked="" type="checkbox"/>	<input type="checkbox"/>	<input checked="" type="checkbox"/>	<input type="checkbox"/>	<input type="checkbox"/>	<input type="checkbox"/>	<input type="checkbox"/>	<input type="checkbox"/>	<input type="checkbox"/>	<input type="checkbox"/>
AUX2	<input type="checkbox"/>	<input type="checkbox"/>	<input type="checkbox"/>	<input type="checkbox"/>	<input type="checkbox"/>	<input checked="" type="checkbox"/>	<input checked="" type="checkbox"/>	<input type="checkbox"/>	<input type="checkbox"/>	<input type="checkbox"/>	<input type="checkbox"/>	<input type="checkbox"/>	<input type="checkbox"/>	<input type="checkbox"/>
AUX3	<input type="checkbox"/>	<input type="checkbox"/>	<input type="checkbox"/>	<input type="checkbox"/>	<input type="checkbox"/>	<input type="checkbox"/>	<input type="checkbox"/>	<input type="checkbox"/>	<input checked="" type="checkbox"/>	<input type="checkbox"/>	<input type="checkbox"/>	<input type="checkbox"/>	<input type="checkbox"/>	<input type="checkbox"/>
AUX4	<input type="checkbox"/>	<input type="checkbox"/>	<input type="checkbox"/>	<input type="checkbox"/>	<input type="checkbox"/>	<input type="checkbox"/>	<input type="checkbox"/>	<input type="checkbox"/>	<input type="checkbox"/>	<input checked="" type="checkbox"/>	<input type="checkbox"/>	<input type="checkbox"/>	<input type="checkbox"/>	<input type="checkbox"/>
Tempo accelerazione/freno Beschleunigung/Bremsen Acceleration/Brake Time	<input type="checkbox"/>	<input type="checkbox"/>	<input type="checkbox"/>	<input type="checkbox"/>	<input type="checkbox"/>	<input type="checkbox"/>	<input type="checkbox"/>	<input type="checkbox"/>	<input type="checkbox"/>	<input type="checkbox"/>	<input checked="" type="checkbox"/>	<input checked="" type="checkbox"/>	<input type="checkbox"/>	<input type="checkbox"/>
Velocità di manovra Rangiergang Shunting Mode/Speed	<input type="checkbox"/>	<input type="checkbox"/>	<input type="checkbox"/>	<input type="checkbox"/>	<input type="checkbox"/>	<input type="checkbox"/>	<input type="checkbox"/>	<input type="checkbox"/>	<input type="checkbox"/>	<input type="checkbox"/>	<input type="checkbox"/>	<input type="checkbox"/>	<input checked="" type="checkbox"/>	<input checked="" type="checkbox"/>



n.c.	1	22	Guida a destra (rosso) Rechte Schiene (Rot) Right Rail (Red)
n.c.	2	21	Guida a sinistra (nero) Linke Schiene (schwarz) Left Rail (Black)
n.c.	3	20	Massa Masse Masa
AUX4 (Luce cabina) AUX4 (Führerstandsbeleuchtung)	4	19	Motore, destra (arancio) Motor, rechts (orange) Motor, right (orange)
n.c.	5	18	Motore, sinistra (grigio) Motor, links (grau) Motor, left (grey)
n.c.	6	17	n.c.
Luca posteriore (giallo) Schlusslicht (Gelb) Rear light (Yellow)	7	16	+20V Ret. F. (Blu) +20V (blau) +20V Ret. F. (Blue)
Luca anteriore (bianco) Spitzenlicht (weiß) Front light (White)	8	15	AUX1 (luce anteriore e posteriore) AUX1 (Spitzen-/Schlusslicht) AUX1 (Front/Rear light)
n.c.	9	14	AUX2
n.c.	10	13	AUX3 (luce cabina) AUX3 (Führerstandsbeleuchtung) AUX3 (Cabin light)
Indice Index Index	11	12	VCC